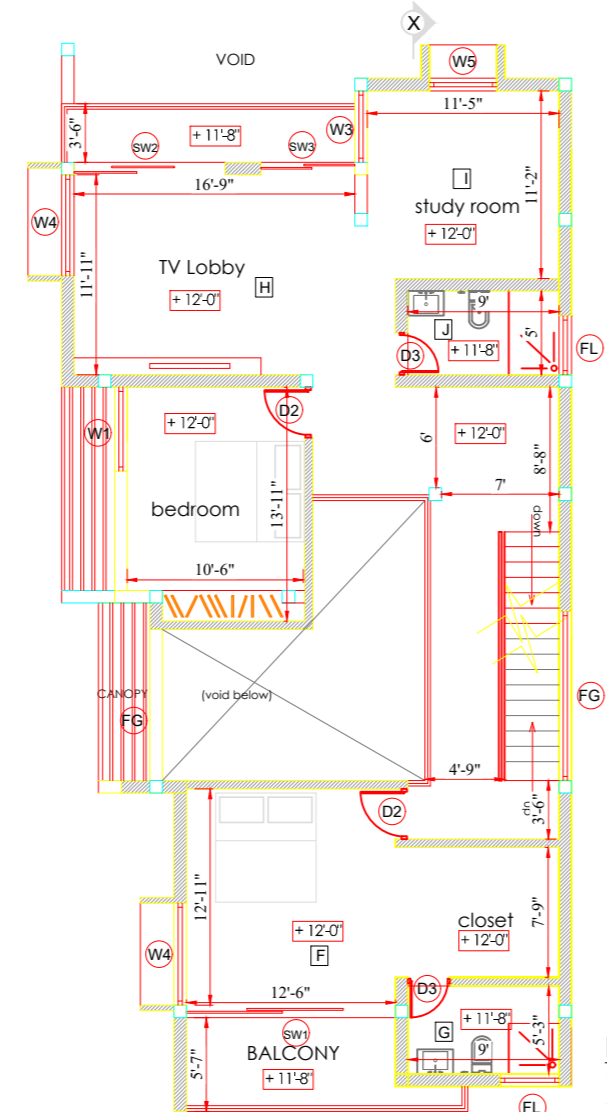
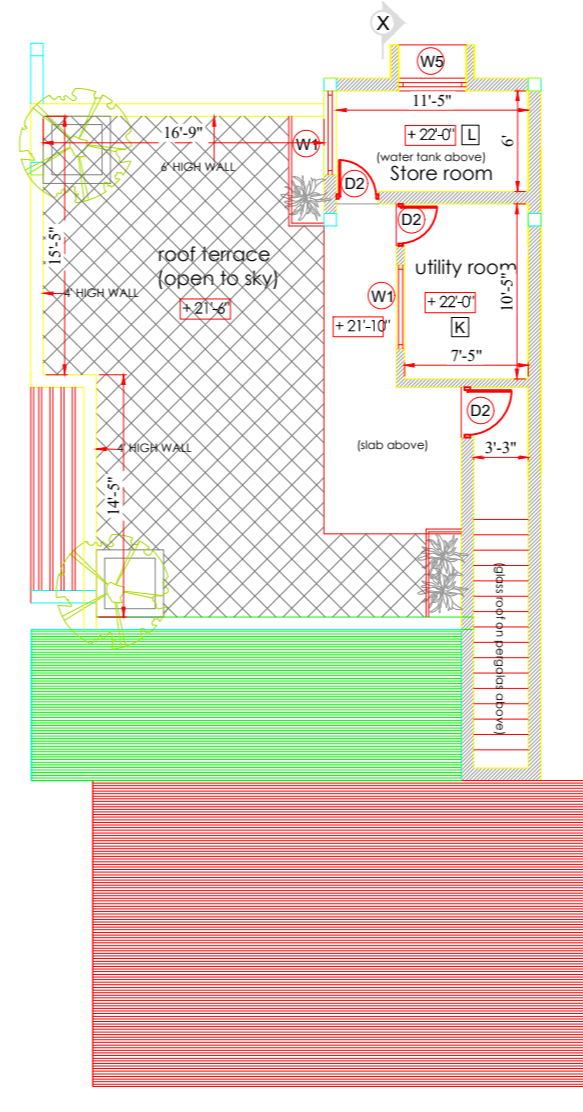


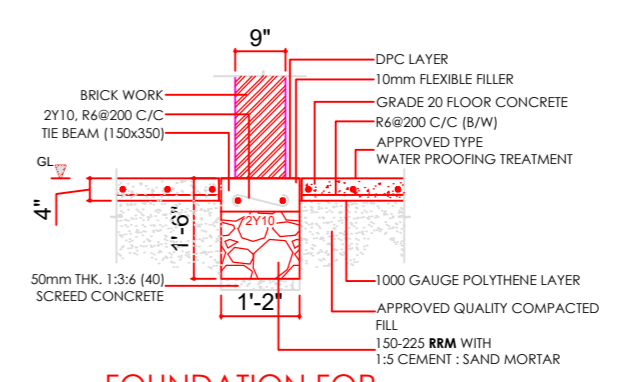
**GROUND FLOOR PLAN**  
SCALE 1/8" = 1'-0"  
AREA - 1666.5 ft<sup>2</sup>



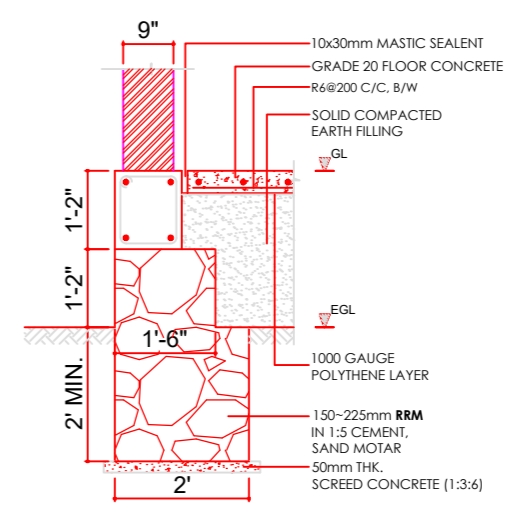
**FIRST FLOOR PLAN**  
SCALE 1/8" = 1'-0"  
AREA - 1410 ft<sup>2</sup>



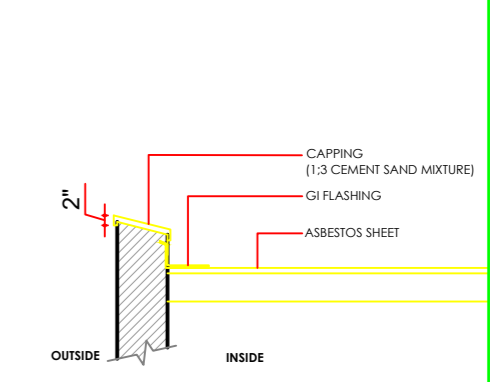
**ROOF TOP PLAN**  
SCALE 1/8" = 1'-0"  
AREA - 967 ft<sup>2</sup>



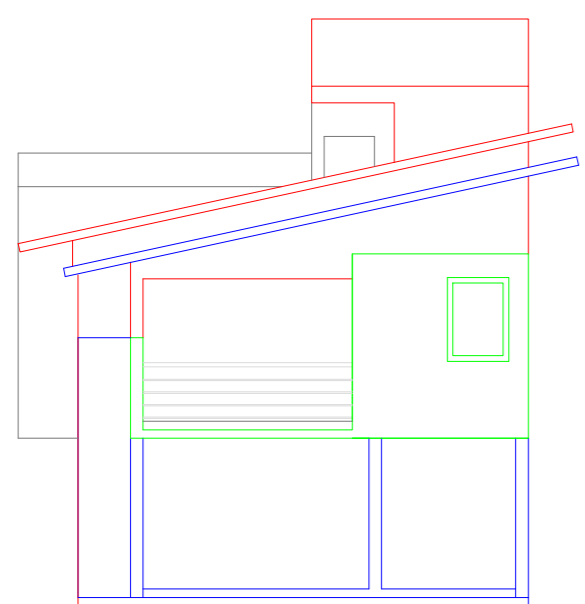
**FOUNDATION FOR INTERNAL WALLS**  
SCALE - 1/2" = 1'-0"



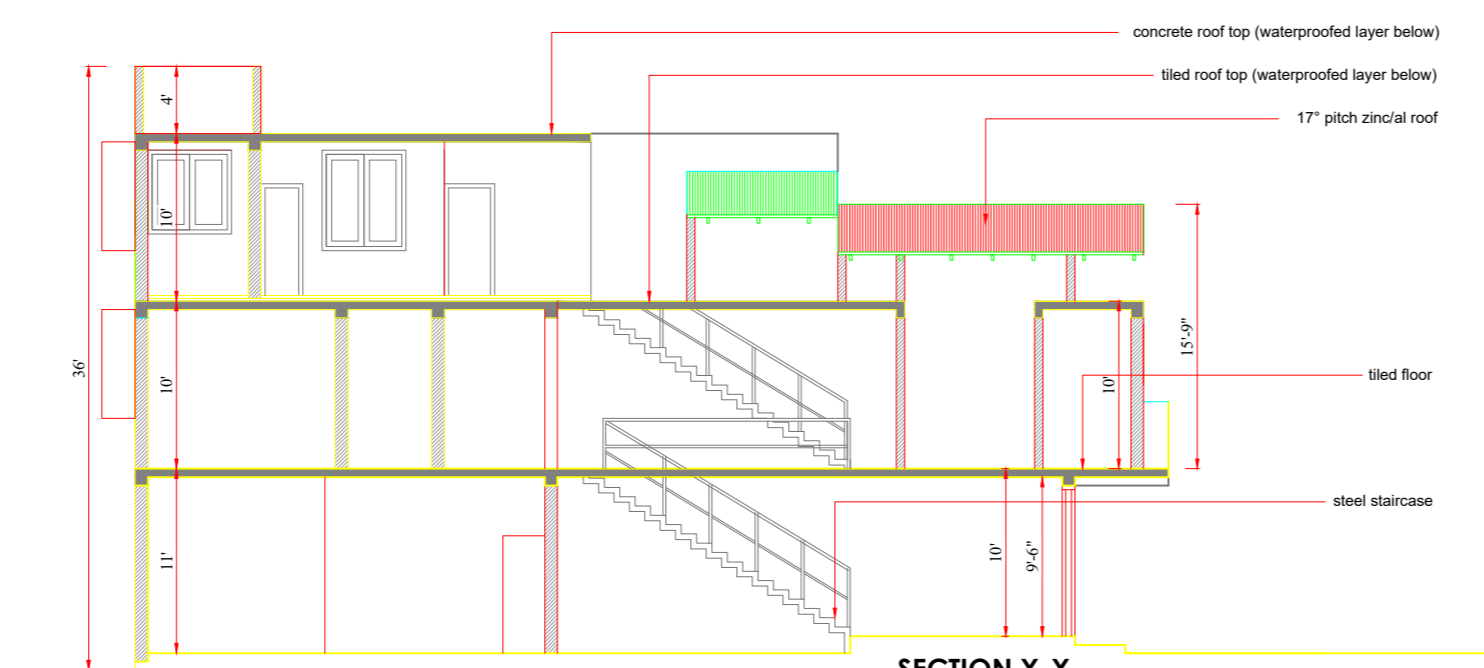
**FOUNDATION FOR EXTERNAL WALLS**  
SCALE - 1/2" = 1'-0"



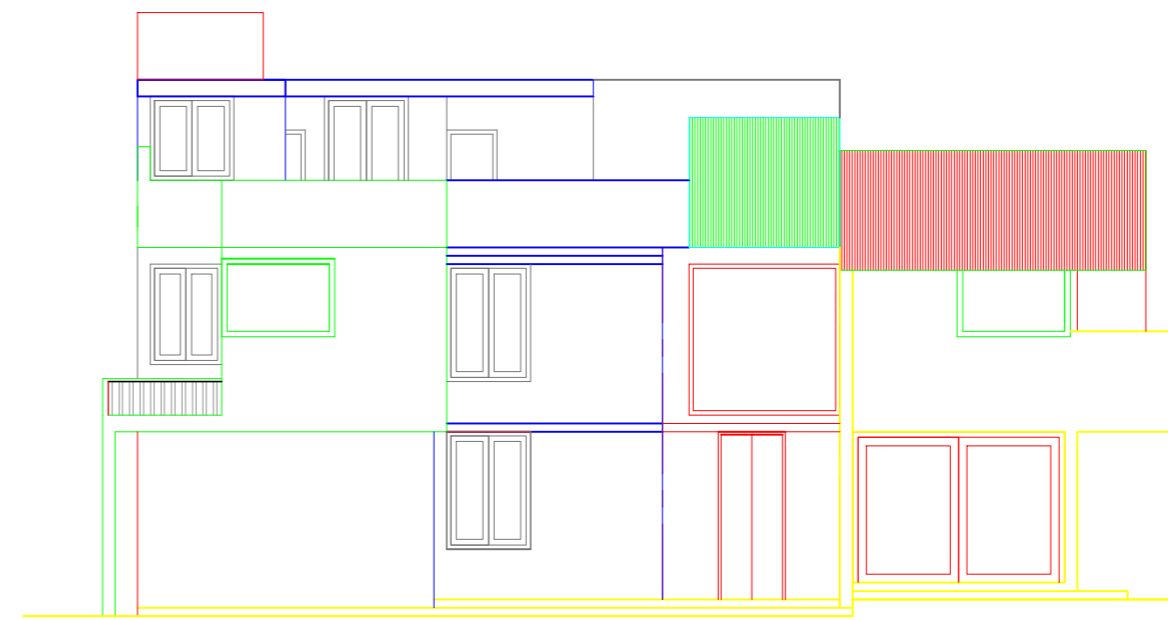
**TYPICAL SECTION THROUGH BLIND WALL**  
SCALE - 1/2" = 1'-0"



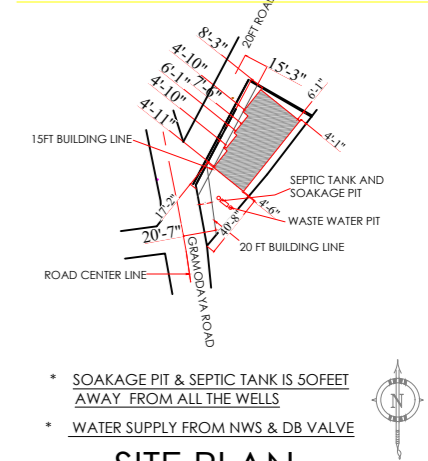
**FRONT ELEVATION**  
(TOWARDS GRAMODAYA ROAD)  
SCALE 1/8" = 1'-0"



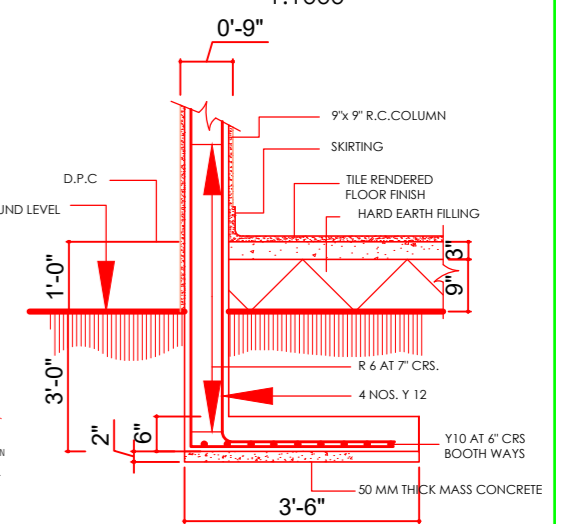
**SECTION X-X**  
SCALE 1/8" = 1'-0"



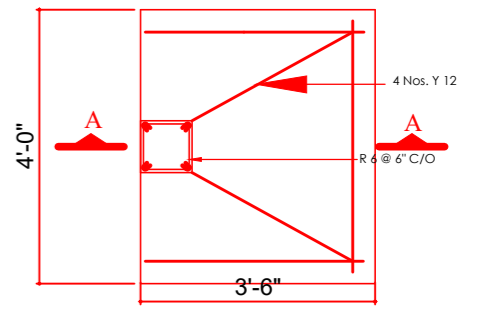
**SIDE ELEVATION**  
(TOWARDS 20FT. ROAD)  
SCALE 1/8" = 1'-0"



**SITE PLAN**  
1:1000



**SECTION A - A**  
SCALE - 1/2" = 1'-0"



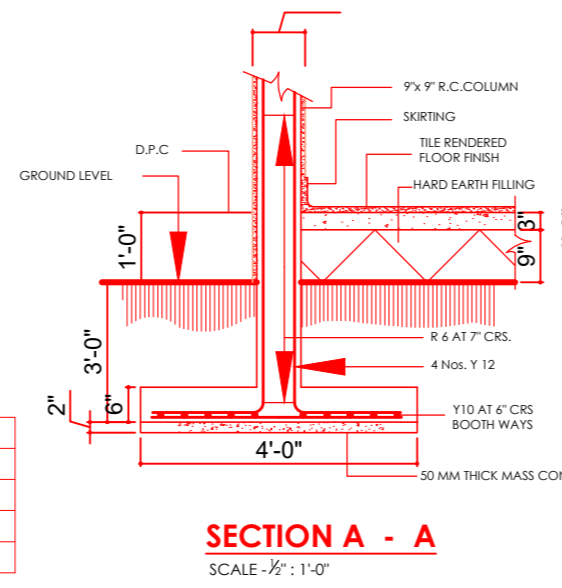
**COLUMN DETAIL AT BLIND WALL**  
SCALE - 1/2" = 1'-0"

**SCHEDULE OF DOORS AND WINDOWS**

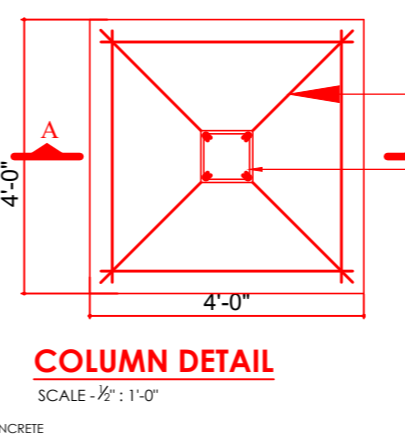
TYPE	SIZE	DESCRIPTION	NOS		
			GF	1SF	2ND
D1	4'-0" X 9'-0"	1 1/4" THK. SINGLE SASH SLIDING TIMBER PANEL DOOR ON EITHER SIDES IN 3' X 4' CLASS 01 TIMBER FRAME	01	-	-
D2	3'-0" X 8'-0"	1" THK. SINGLE SASH SIDE HUNG MARINE PLYWOOD DOOR IN 3' X 4' CLASS 01 TIMBER FRAME	02	02	03
D3	2'-6" X 8'-0"	1" THK. SINGLE SASH SIDE HUNG MARINE PLYWOOD DOOR IN 3' X 4' CLASS 01 TIMBER FRAME	02	02	-
SW1	12'-6" X 9'-0"	TWO PANEL TIMBER FRAMED GLASS SLIDING WINDOW	02	01	-
SW2	9'-0" X 9'-0"	TWO PANEL TIMBER FRAMED GLASS SLIDING WINDOW	01	01	-
SW3	5'-7" X 9'-0"	TWO PANEL TIMBER FRAMED GLASS SLIDING WINDOW	-	01	-
W1	5'-0" X 6'-0"	TWO PANEL TIMBER FRAMED GLASS WINDOW	01	01	-
W2	5'-0" X 6'-0"	TWO PANEL TIMBER FRAMED GLASS SLIDING WINDOW	01	-	-
W3	4'-7" X 5'-0"	TWO PANEL TIMBER FRAMED GLASS WINDOW	-	01	-
W4	6'-0" X 4'-0"	TWO PANEL TIMBER FRAMED GLASS SLIDING WINDOW	-	02	-
WS	4'-0" X 6'-0"	TWO PANEL TIMBER FRAMED GLASS SLIDING WINDOW	-	01	01
FL	3'-6" X 4'-0"	TWO PANEL TIMBER FRAMED FAN LIGHT	02	01	-
FG	9'-0" X 9'-0"	TIMBER FRAMED FIXED FROSTED GLASS	01	01	-

**FLOOR AREAS**

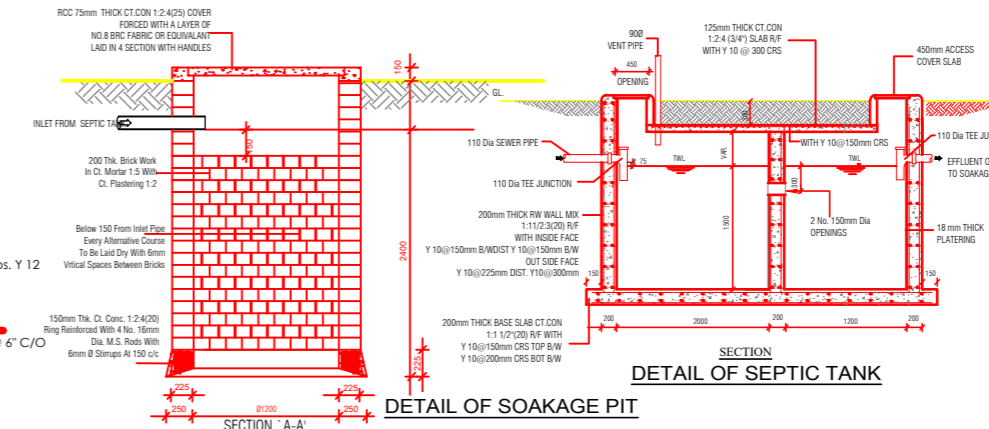
FLOOR	AREA (sq.ft)
FLOOR	
GROUND FLOOR	1666.5
FIRST FLOOR	1410
ROOF TOP	967
TOTAL	4043.5



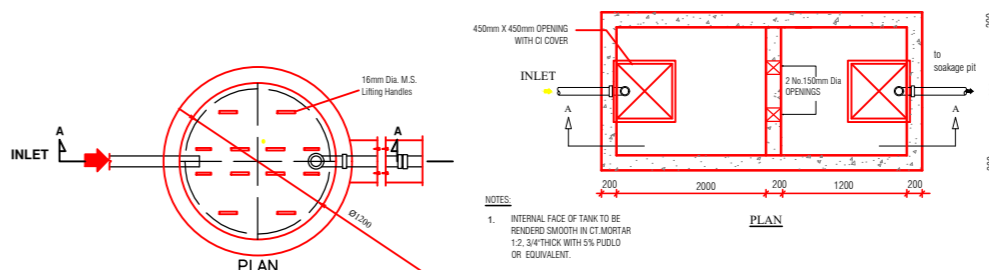
**SECTION A - A**  
SCALE - 1/2" = 1'-0"



**COLUMN DETAIL**  
SCALE - 1/2" = 1'-0"



**DETAIL OF SOAKAGE PIT**



**DETAIL OF SEPTIC TANK**

**VERIFY SCALE**

BAR IS 1 INCH ON ORIGINAL DRAWING

IF NOT 1 INCH ON THIS SHEET, ADJUST SCALE ACCORDINGLY

**DRAWING TITLE**